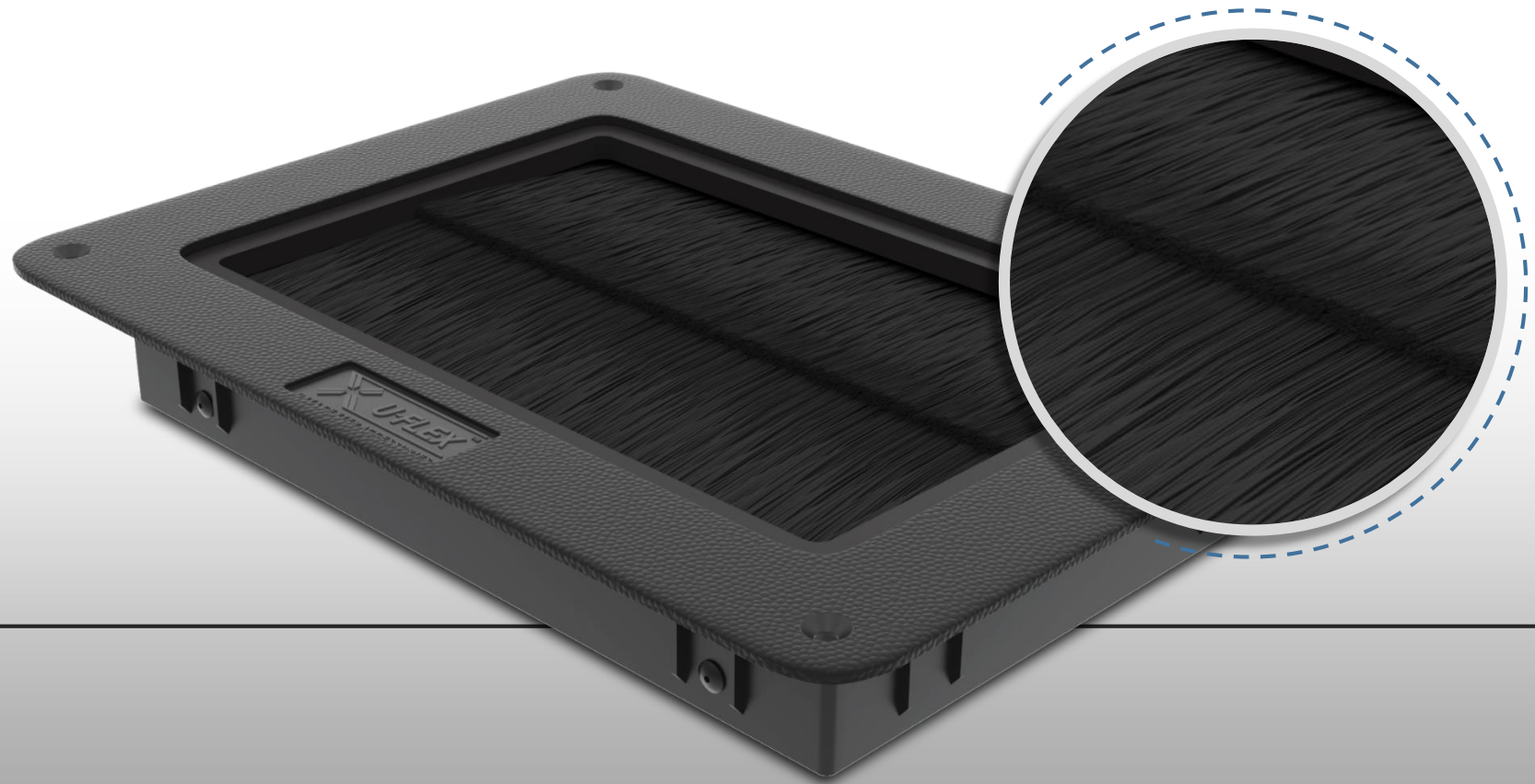


# DATA CENTER ACCESSORIES

---

# DATA CENTER AIR FLOW SOLUTIONS

## AIRPLUGS

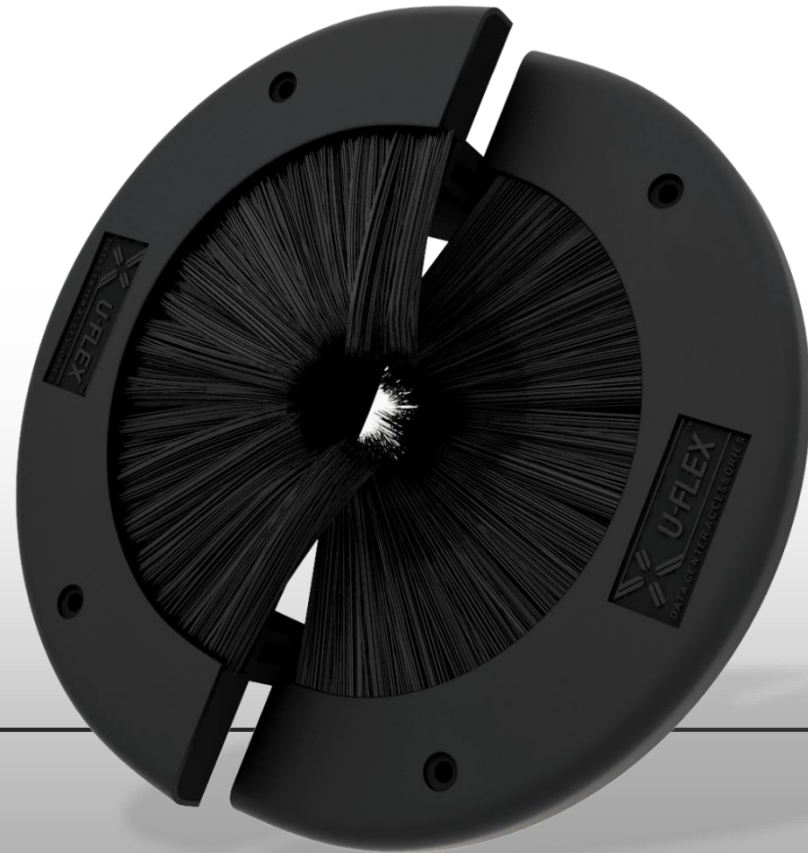


**INTEGRATED AIRPLUG**

---

# DATA CENTER AIR FLOW SOLUTIONS

## AIRPLUGS



**SPLIT CIRCULAR AIRPLUG**

---

# DATA CENTER AIR FLOW SOLUTIONS

## AIRPLUGS

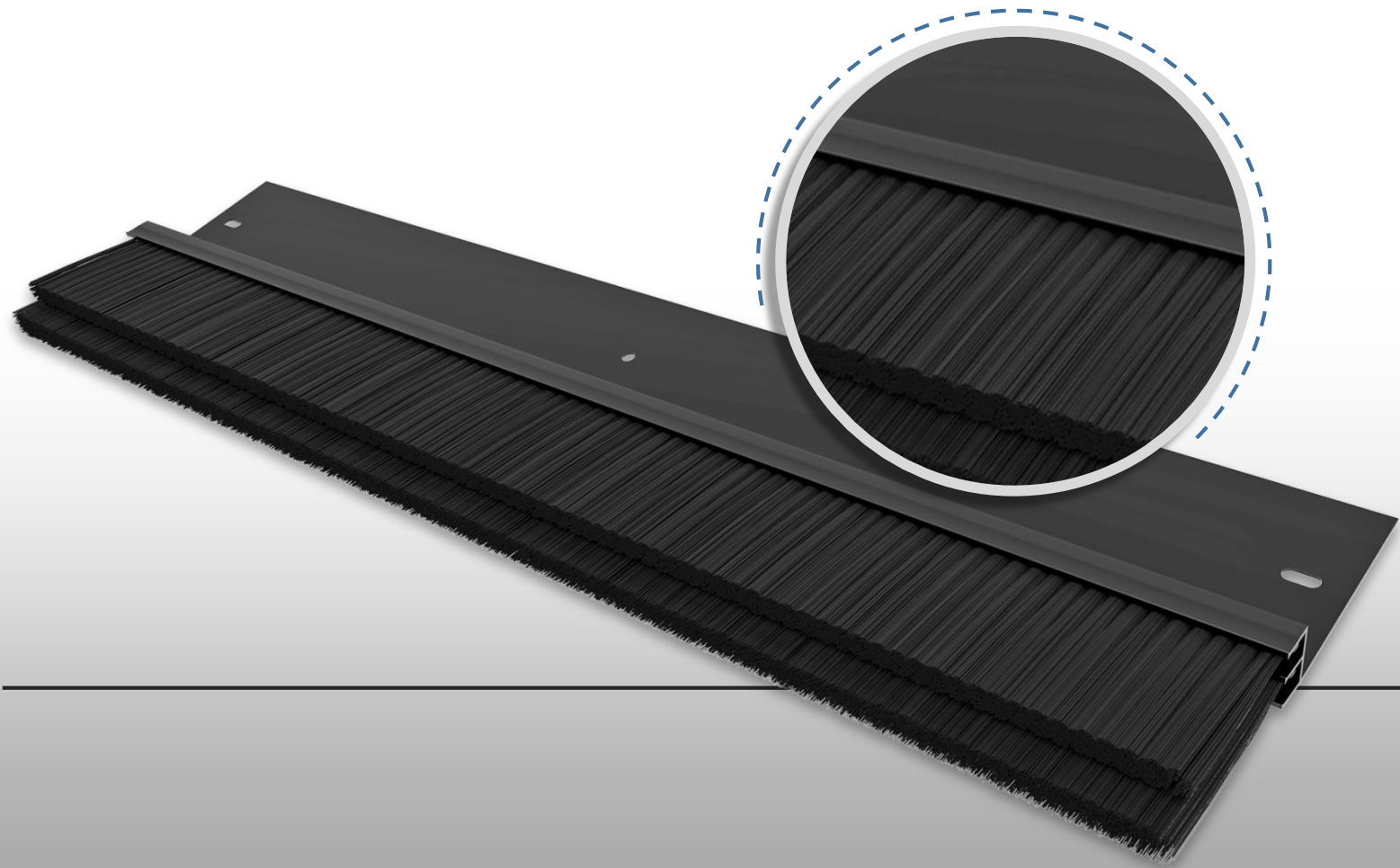


**SURFACE-MOUNT AIRPLUG**

---

# DATA CENTER AIR FLOW SOLUTIONS

## AIRPLUGS

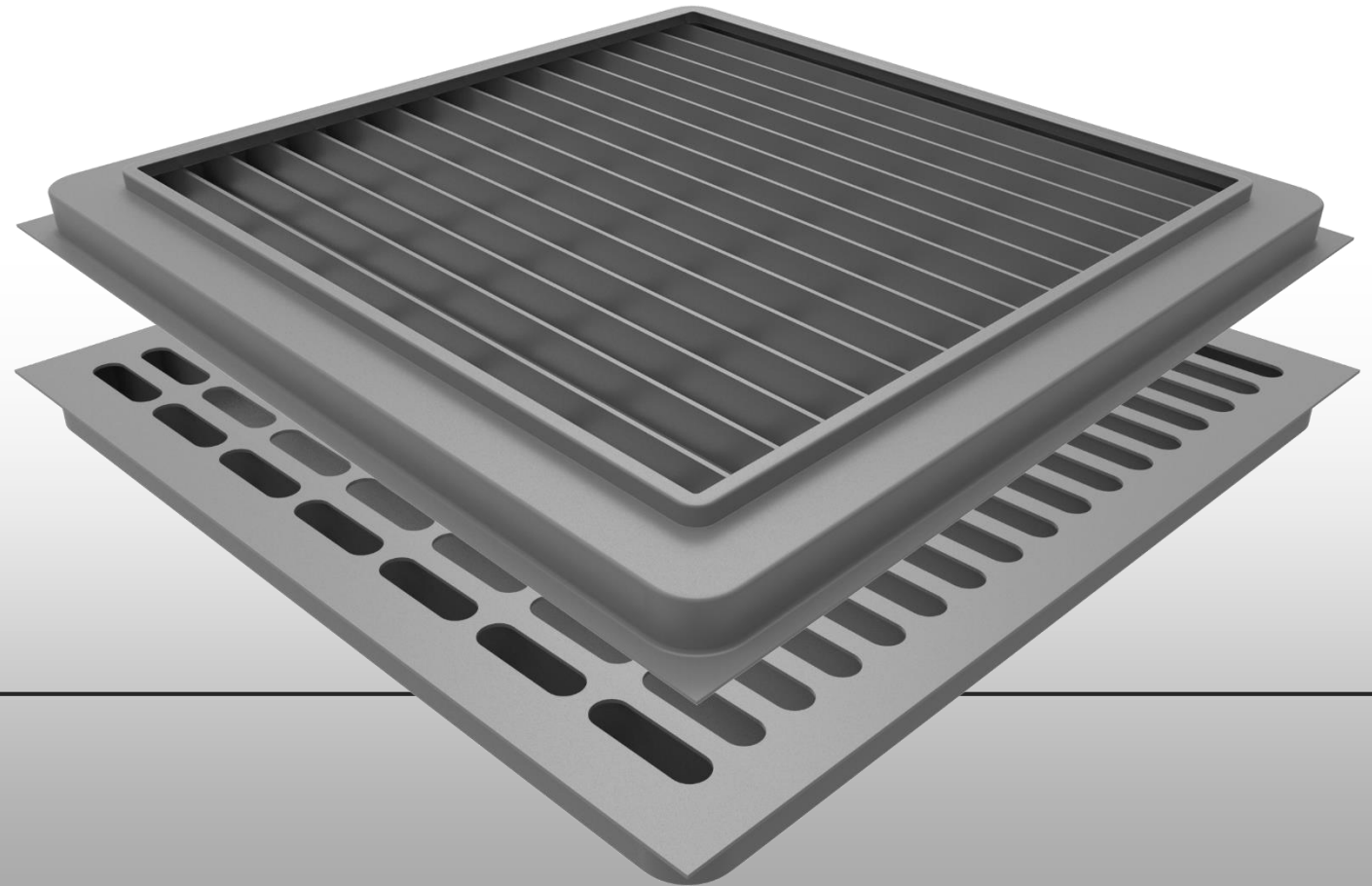


**EXTENDED BRUSH AIRPLUG**

---

# DATA CENTER AIR FLOW SOLUTIONS

## AIRFLOW GRILLS



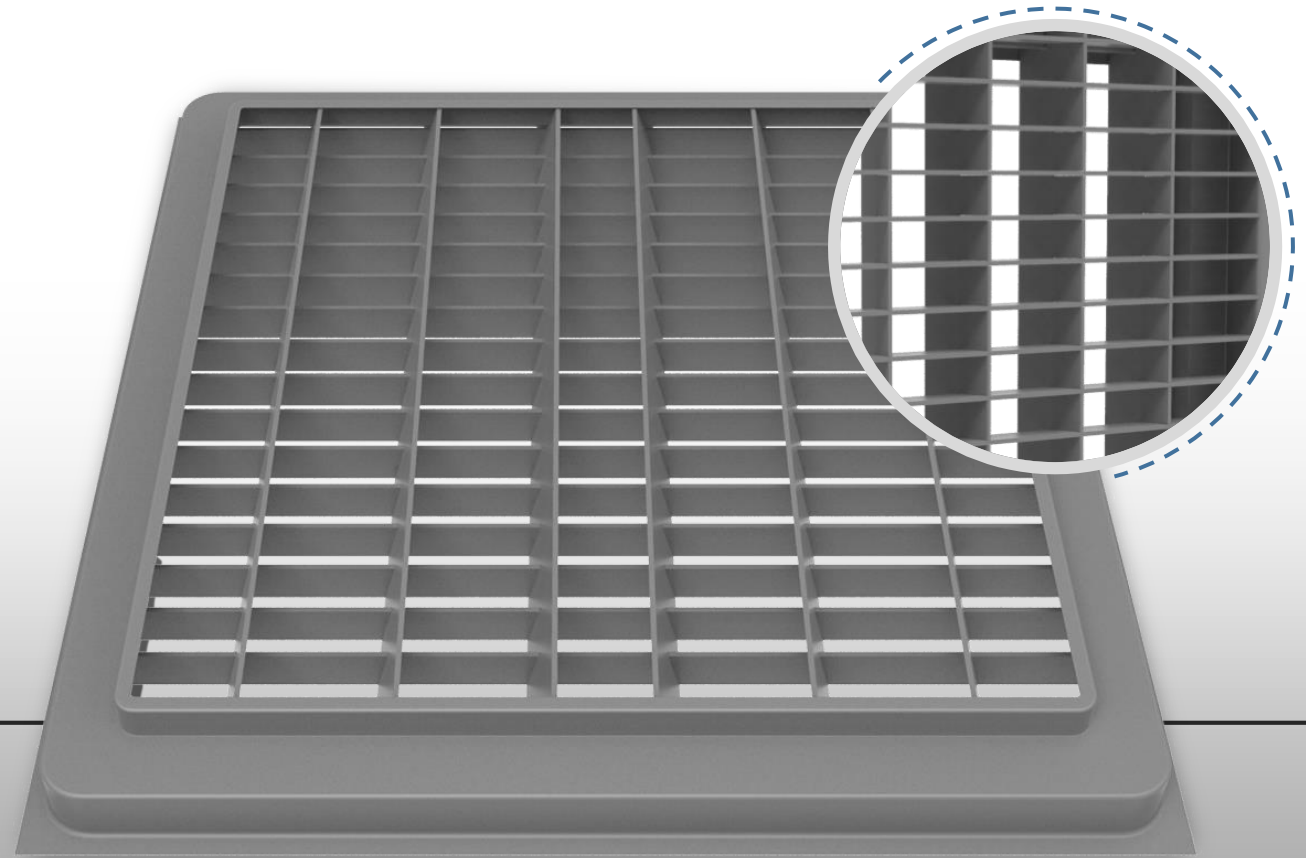
STANDARD AIRFLOW GRILLS

---

---

# DATA CENTER AIR FLOW SOLUTIONS

## AIRFLOW GRILLS



**DIRECTIONAL AIRFLOW GRILLS**

---

# DATA CENTER AIR FLOW SOLUTIONS

## MULTIPLYAIR

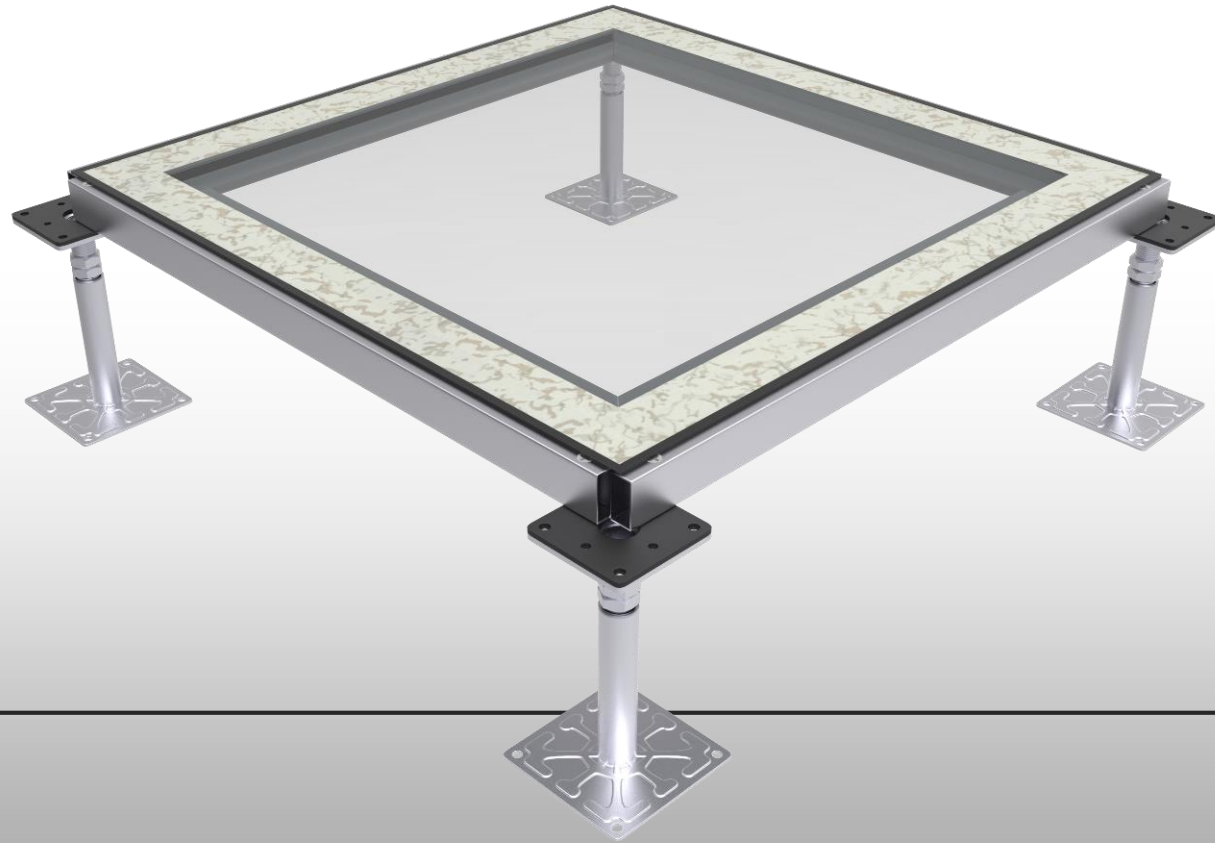




---

# DATA CENTER ACCESSORIES

## VISION PANEL



---

# DATA CENTER ACCESSORIES

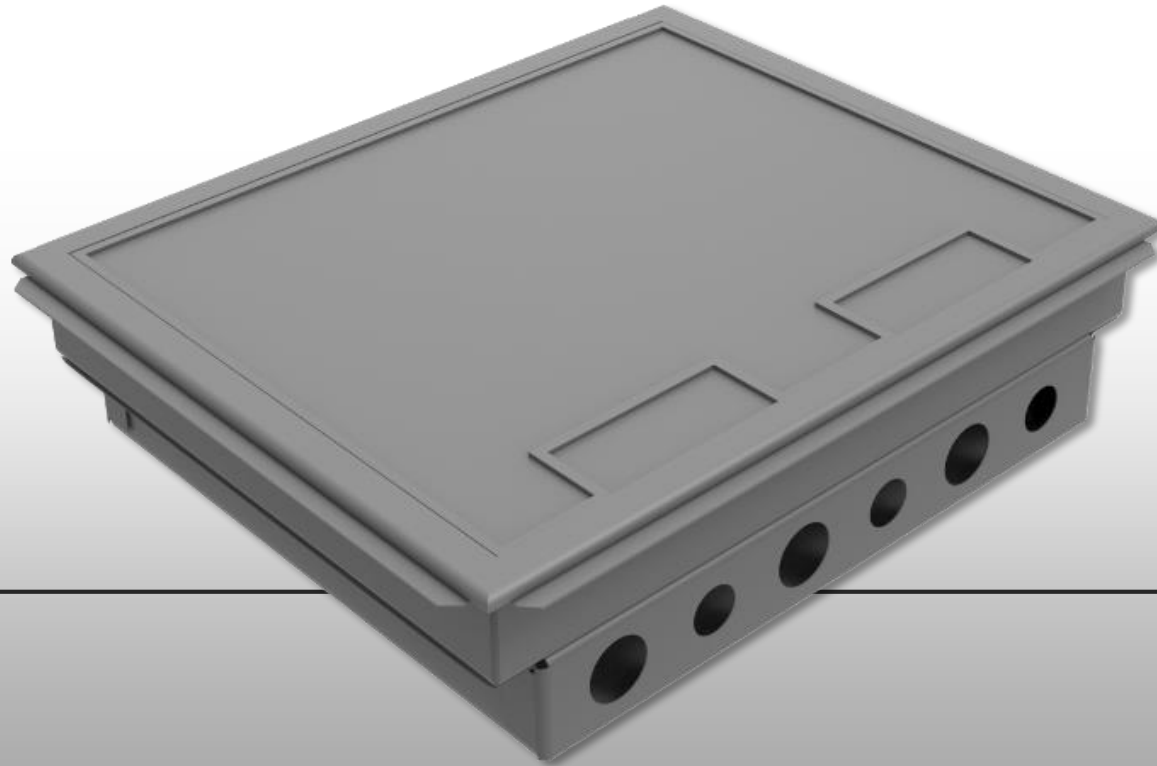
## PANEL LIFTER



---

# DATA CENTER ACCESSORIES

## ELECTROFLEX



---

# DATA CENTER ACCESSORIES

## GROMMET

